

Next - Gen



G300D

Triaxial Gyroscope with VELOX™



The Next-Gen, SX2, G300D Gyroscope offers the latest advancements in inertial technology. This high speed, three-axis MEMS gyro is equipped with low noise sensors, cutting edge VELOX™ processing and user configurable firmware with the most advanced features available. The G300D comes fully modeled and calibrated over temperature and is the premier MEMS gyroscope for stabilization and precision measurement applications.

0.0017°/s/√Hz
ARW

10 kHz
Output Rate

0.075°/s
Bias Over Temperature

600Hz
Bandwidth

0.6
Cubic Inches

100μs
Message Delay

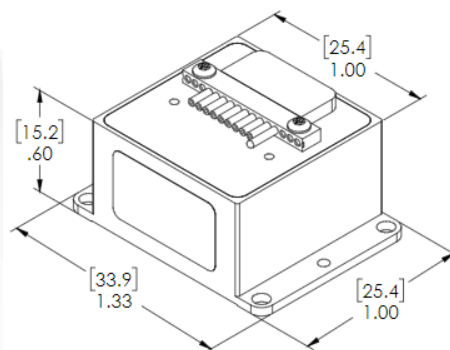
Low Noise. High Speed.
Inertial Systems and Sensors



G300D Gyroscope

Performance		
Range	490°/s	
ARW	0.0017°/s/√Hz / 0.072°/√hr	
Bias In-Run	3.5°/h	
Bias Over Temp.	0.075°/s	
G Sensitivity	< 0.01°/s/g	
Scale Factor Error	≤ 0.05%	
Environment		
Shock	1000g ½ sine ½ ms powered on	
Vibration	8gRMS (50 Hz to 2 kHz) random	
Calibrated Temp	-50°C to 85°C	
Non-Operating Temp	-55°C to 85°C	
Interface with VELOX™ and VELOX™ Plus Enhanced Options		
	VELOX™	VELOX™ Plus
Data Interface	RS422/485	16/24/32 Bit
Data Rate	8 kHz	10 kHz
External Sync	8 kHz	10 kHz
Max Baud Rate	3.0 Mbaud	7.5 Mbaud (user specified)
Max Bandwidth	350 Hz	600 Hz (user specified)
Digital Message Delay	57 μs	20 μs
Electrical		
Input Voltage	+4.5 V to +5.5 V Max. Input (single sided)	
Power Consumption	200 mW Typical / 250 mW Maximum	
Mechanical		
Mass	19 grams ±1	
Size	Metric: 2.54 x 2.54 x 1.52 = 9.81 cm3 US: 1.0 x 1.0 x 0.6 = 0.6in3	

All performance parameters typical value
 Specification subject to change without notice
 Rev. 12.10.21



Further Technical
 Information Available:

sales@gladiatortechnologies.com

NON ITAR
 ECCN 7A994



GLADIATOR
 TECHNOLOGIES

Gladiator Technologies
 8022 Bracken PI SE
 Snoqualmie, WA 98065, USA

425.363.4180
www.gladiatortechnologies.com
sales@gladiatortechnologies.com