

New Product



A300D

Three Axis Accelerometer with VELOX™



The Next-Gen SX2, A300D three-axis MEMS accelerometer offers **the latest advancements in inertial technology**. It is equipped with low noise sensors, cutting edge VELOX™ processing and user configurable firmware with the most advanced features available. In addition, the A300D accelerometer comes factory calibrated over temperature and is conditioned to repeatably perform over demanding environments.

0.058 mg /√Hz
VRW

±40 g
Sensor Range

0.5 mg
Bias Over Temperature

800Hz
Bandwidth

0.6
Cubic Inches

44μs
Message Delay

Low Noise. High Speed.
Inertial Systems and Sensors



A300D Accelerometer

Performance

Range	± 40 g
VRW	0.024 m/s/vHr / 0.058 mg/ vHz
Bias In-Run	0.015 mg
Bias Over Temperature	0.5 mg
One Year Bias Repeatability	100 µg
Vibration Rectification Error	250 µg/g ²
Scale Factor Error	≤ 0.02%
Alignment	0.5 mrad

Environment

Shock (Operating)	1000g ½ sine 1 ms powered on
Vibration (Operating)	10 gRMS (50 Hz to 2 kHz)
Calibrated Temp	-50°C to 85°C
Non-Operating Temp	-55°C to 125°C

Interface

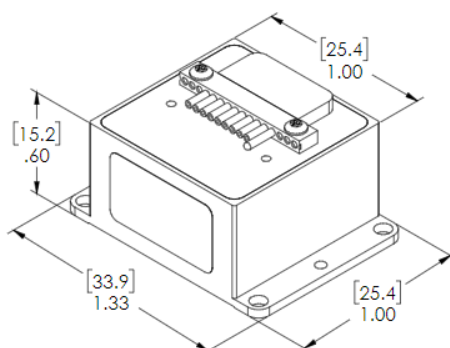
VELOX™

Data Interface	RS-422/485
Data Rate	5 kHz
External Sync	8 kHz
Max Baud Rate	3.0 Mbaud
Max Bandwidth	800 Hz
Digital Message Delay	44 µs

Electrical / Mechanical

Input Voltage	+5.0 V to +5.5 V Input (single sided)	
Power Consumption	275 mW Typical / 375 mW Maximum	
Mass	19.25 grams ±0.5	
Size	Metric: 2.54 x 2.54 x 1.52 = 9.81 cm ³	US: 1.0 x 1.0 x 0.6 = 0.6in ³

All performance parameters 1σ
Specification subject to change without notice
Rev. 22.08.08



Further Technical
Information Available:

sales@gladiatortechnologies.com

NON ITAR
ECCN 7A001



GLADIATOR
TECHNOLOGIES

Gladiator Technologies
8022 Bracken PI SE
Snoqualmie, WA 98065, USA

425.363.4180
www.gladiatortechnologies.com
sales@gladiatortechnologies.com