

Next - Gen



LandMark™ 007 IMU

High Dynamic IMU with VELOX™



The Next-Gen, SX2, LandMark™007 IMU is built for high dynamic applications and offers the latest advancements in MEMS inertial technology. This high speed, six-axis IMU is equipped with low noise sensors, cutting edge VELOX™ processing and user configurable firmware with the most advanced features available. The LandMark™007 IMU comes fully modeled and calibrated over temperature and is the premier MEMS IMU for high dynamic stabilization and precision measurement applications.

0.0025°/s/√Hz
ARW

10 kHz
Output Rate

0.075°/s
Bias Over Temperature

600Hz
Bandwidth

2000°/s
Gyro Rate

98g
Accel Range

Low Noise. High Speed.
Inertial Systems and Sensors



LandMark™007 IMU

Inertial Performance	Gyro Axes	Accel Axes
Range	2000°/s	98 g
ARW / VRW	0.0025°/s/√Hz / 0.106°/√hr	5.6 mg √Hz
Bias In-Run	3.5°/h	1.5 mg
Bias Over Temp	0.075°/s	20 mg
Scale Factor Error	600 PPM	6,000 PPM
Vibration Rectification Error	1 °/hr/g ² rms	

Environment

Shock (Operational)	1000 g ½ sine 1 ms powered on
Vibration (Operational)	24 gRMS + 50 sine (50 Hz to 2 kHz) random
Calibrated Temp	-50°C to 85°C
Storage Temp	-55°C to 85°C
G-Sensitivity	0.03°/s
Reliability 45°C (MTBF)	>110,000

Interface

Interface	VELOX™		VELOX™ Plus	
	RS422/485	16/24/32 Bit		
Data Interface				
Data Rate	8 kHz		10 kHz	
External Sync	8 kHz		10 kHz	
Max Baud Rate	3.0 Mbaud		7.5 Mbaud	
Max Bandwidth	350 Hz		600 Hz	
Digital Message Delay	155 μs		114 μs	

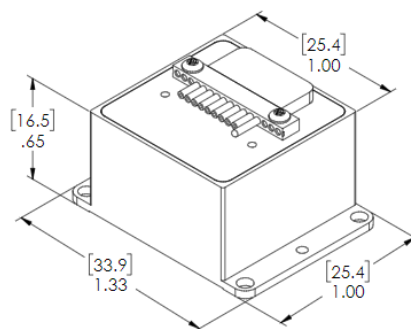
Electrical

Input Voltage	+3.8 V to +5.5 V Max (single sided)
Power Consumption	280 mW Typical / 450 mW Maximum

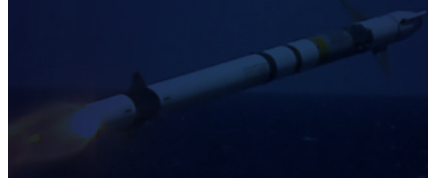
Mechanical

Mass	25 grams ±0.5 g
Size	Metric: 2.54 x 2.54 x 1.65 = 10.65 cm ³ US: 1.0 x 1.0 x 0.65 = 0.65in ³

All performance parameters 1σ
Specification subject to change without notice
Rev. 22.08.08



Further Technical
Information Available:
gladiatortechnologies.com



NON ITAR
ECCN 7A994



GLADIATOR
TECHNOLOGIES

Gladiator Technologies
8022 Bracken Pl SE
Snoqualmie, WA 98065, USA

425.363.4180
www.gladiatortechnologies.com
sales@gladiatortechnologies.com